

DELJIT D97A

EDIFACT / D97A / DELJIT : DELJIT Delivery Just-In-Time Message

Version: March 2019 Final

Author:	Cummins Electronic Commerce Support
Company:	Cummins Inc.
Publication:	4/4/2019
Trading Partner:	Cummins Suppliers

Table of Contents

DELJIT	Delivery just in time message	1
	Branching Diagram - 1	3
	Branching Diagram - 2	4
	Branching Diagram - 3	5
UNB	INTERCHANGE HEADER	6
UNH	MESSAGE HEADER	9
BGM	BEGINNING OF MESSAGE	11
DTM	DATE/TIME/PERIOD	12
Group 2	Segment Group 2	13
NAD	NAME AND ADDRESS	14
Group 4	Segment Group 4	17
SEQ	SEQUENCE DETAILS	18
Group 7	Segment Group 7	19
LIN	LINE ITEM	20
IMD	ITEM DESCRIPTION	21
Group 8	Segment Group 8	22
RFF	REFERENCE	23
Group 9	Segment Group 9	24
LOC	PLACE/LOCATION IDENTIFICATION	25
Group 11	Segment Group 11	26
QTY	QUANTITY	27
DTM	DATE/TIME/PERIOD	28
Group 12	Segment Group 12	29
RFF	REFERENCE	30
UNT	MESSAGE TRAILER	31
UNZ	INTERCHANGE TRAILER	32

DELJIT Delivery just in time message

Message Status=2

Definition: A message provides the ability for a customer to convey precise delivery sequence and Just In Time schedule requirements to a supplier, and is intended to supplement the Delivery Schedule Message (DELFOR).

Cummins Note:

Cummins utilizes the DELJIT to communicate the Delivery Just In Time material demand. If you are the recipient of a DELJIT, contact your Cummins materials planner of that plant to confirm how it's used. The DELJIT will only be used upon special request by a Cummins entity.

Example EDI:

```

UNB+UNOA:1+SENDERID:1+RECEIVERID:1+150511:2050+1++DELJIT
UNH+1+DELJIT:D:97A:UN
BGM+241+20150511-506301-0+9
DTM+137:20150511:102
DTM+194:20150511:102
DTM+206:20150512:102
NAD+SU+123456CITY00::92++CUMMINS SUPPLIER
NAD+ST+123456789::16++CUMMINS SHIP-TO PLANT+CUMMINS SHIP-TO ADDRESS+CITY++ZIP
SEQ+3+1
LIN+++PART NUMBER 1:IN::92
IMD+++::92:ITEM DESCRIPTION
RFF+ON:9999999
LOC+7+123
QTY+131:1280:EA
DTM+2:201505110000:203
RFF+RE:111
LIN+++PART NUMBER 2:IN::92
IMD+++::92:ITEM DESCRIPTION
RFF+ON:9999999
LOC+7+123
QTY+131:2240:EA
DTM+2:201505110000:203
RFF+RE:112
UNT+21+1
UNZ+1+1
    
```

Heading:

<u>Pos</u>	<u>Tag</u>	<u>Segment Name</u>	<u>Status</u>	<u>Rep</u>	<u>Notes</u>	<u>Usage</u>
	UNB	INTERCHANGE HEADER	M	1		Cummins Mandatory
0010	UNH	MESSAGE HEADER	M	1	N1/0010	Cummins Mandatory
0020	BGM	BEGINNING OF MESSAGE	M	1	N1/0020	Cummins Mandatory
0030	DTM	DATE/TIME/PERIOD	M	10	N1/0030	Cummins Mandatory
0080		<u>Segment Group 2</u>	<u>C</u>	<u>20</u>	<u>N1/0080</u>	<u>Cummins Mandatory</u>

<u>Pos</u>	<u>Tag</u>	<u>Segment Name</u>	<u>Status</u>	<u>Rep</u>	<u>Notes</u>	<u>Usage</u>
0090	NAD	NAME AND ADDRESS	M	1	N1/0090	Cummins Mandatory

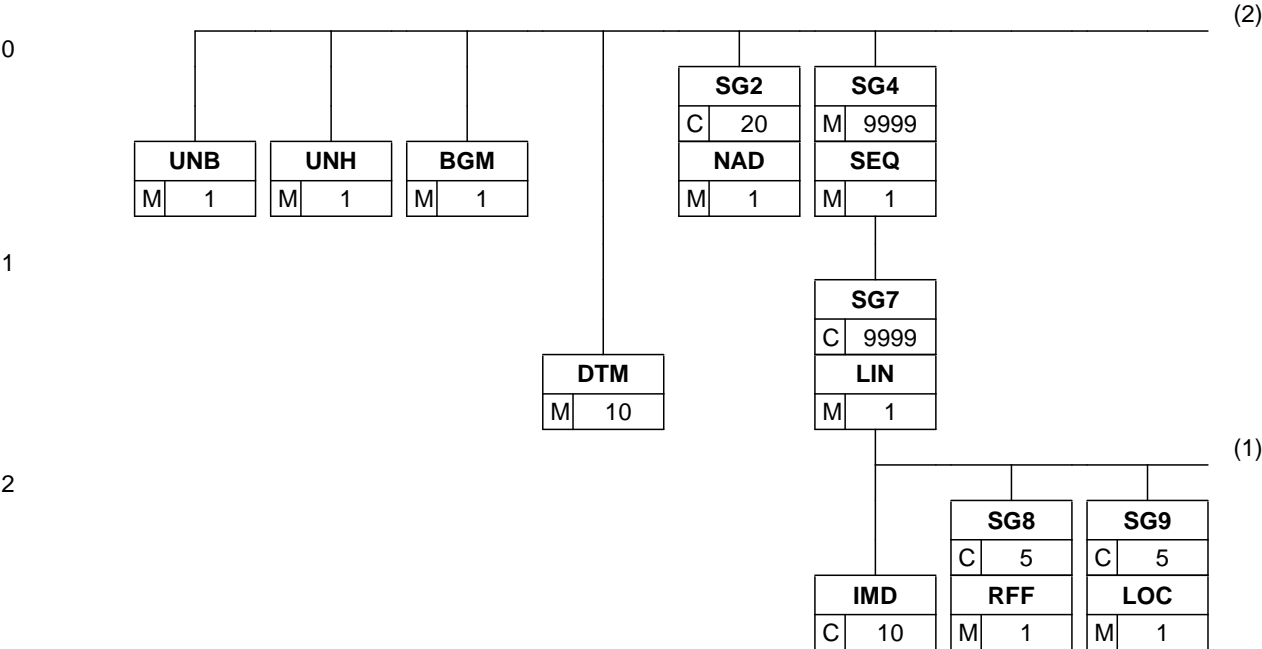
Detail:

<u>Pos</u>	<u>Tag</u>	<u>Segment Name</u>	<u>Status</u>	<u>Rep</u>	<u>Notes</u>	<u>Usage</u>
0150		Segment Group 4	M	9999	N2/0150	Cummins Mandatory
0160	SEQ	SEQUENCE DETAILS	M	1	N2/0160	Cummins Mandatory
0250		Segment Group 7	C	9999	N2/0250	Cummins Mandatory
0260	LIN	LINE ITEM	M	1	N2/0260	Cummins Mandatory
0280	IMD	ITEM DESCRIPTION	C	10	N2/0280	Cummins Mandatory
0350		Segment Group 8	C	5	N2/0350	Cummins Mandatory
0360	RFF	REFERENCE	M	1	N2/0360	Cummins Mandatory
0380		Segment Group 9	C	5	N2/0380	Cummins Mandatory
0390	LOC	PLACE/LOCATION IDENTIFICATION	M	1	N2/0390	Cummins Mandatory
0430		Segment Group 11	C	100	N2/0430	Cummins Mandatory
0440	QTY	QUANTITY	M	1	N2/0440	Cummins Mandatory
0460	DTM	DATE/TIME/PERIOD	C	2	N2/0460	Cummins Mandatory
0470		Segment Group 12	C	5	N2/0470	Cummins Optional
0480	RFF	REFERENCE	M	1	N2/0480	Cummins Optional

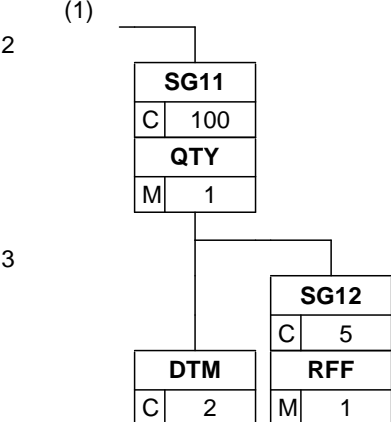
Summary:

<u>Pos</u>	<u>Tag</u>	<u>Segment Name</u>	<u>Status</u>	<u>Rep</u>	<u>Notes</u>	<u>Usage</u>
0500	UNT	MESSAGE TRAILER	M	1	N3/0500	Cummins Mandatory
	UNZ	INTERCHANGE TRAILER	M	1		Cummins Mandatory

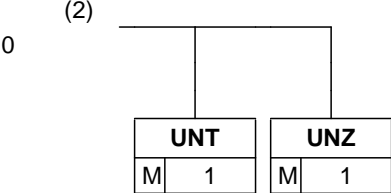
Branching Diagram: DELJIT(Delivery just in time message)



Branching Diagram: DELJIT(Delivery just in time message)



Branching Diagram: DELJIT(Delivery just in time message)



UNB INTERCHANGE HEADER

Pos:	Max: 1
Mandatory	
Group: N/A	Elements: 7

User Option (Usage): Cummins Mandatory

Example EDI:

Example EDI:

UNB+UNOA:1+SENDERID:1+RECEIVERID:1+150511:2050+1++DELJIT

Example EDI with TEST flag:

UNB+UNOA:1+SENDERID:1+RECEIVERID:1+150511:2050+1++DELJIT++++1

Element Summary:

<u>Ref</u>	<u>Tag</u>	<u>Element Name</u>	<u>Status</u>	<u>Type</u>	<u>Min/Max</u>	<u>Usage</u>
UNB010	S001	SYNTAX IDENTIFIER	M	Comp		Cummins Mandatory
Description: Identification of the agency controlling the syntax and indication of syntax level.						
UNB010-010	0001	Syntax identifier	M	a	4/4	Cummins Mandatory
Description: Coded identification of the agency controlling a syntax and syntax level used in an interchange.						
CodeList Summary (Total Codes: 6, Included: 1)						
Code Name						
UNOA UN/ECE level A						
Description: As defined in the basic code table of ISO 646 with the exceptions of lower case letters, alternative graphic character allocations and national or application-oriented graphic character allocations.						
UNB010-020	0002	Syntax version number	M	n	1/1	Cummins Mandatory
Description: Version number of the syntax identified in the syntax identifier (0001).						
CodeList Summary (Total Codes: 3, Included: 1)						
Code Name						
1 Version 1						
Description: ISO 9735:1988.						
UNB020	S002	INTERCHANGE SENDER	M	Comp		Cummins Mandatory
Description: Identification of the sender of the interchange.						
UNB020-010	0004	Sender identification	M	an	1/35	Cummins Mandatory
Description: Name or coded representation of the sender of a data interchange.						
Cummins Note: Cummins EDI sender/receiver ID.						

<u>Ref</u>	<u>Tag</u>	<u>Element Name</u>	<u>Status</u>	<u>Type</u>	<u>Min/Max</u>	<u>Usage</u>
UNB020-020	0007	Partner identification code qualifier	C	an	1/4	Cummins Mandatory

Description: Qualifier referring to the source of codes for the identifiers of interchanging partners.

Cummins Note: Cummins EDI sender/receiver ID qualifier.

CodeList Summary (Total Codes: 45, Included: 2)

Code Name

1 DUNS (Data Universal Numbering System)

Description: Partner identification code assigned by Dun & Bradstreet.

ZZ Mutually defined

UNB030	S003	INTERCHANGE RECIPIENT	M	Comp		Cummins Mandatory
--------	------	------------------------------	---	------	--	-------------------

Description: Identification of the recipient of the interchange.

UNB030-010	0010	Recipient identification	M	an	1/35	Cummins Mandatory
------------	------	---------------------------------	---	----	------	-------------------

Description: Name or coded representation of the recipient of a data interchange.

Cummins Note: Supplier EDI sender/receiver ID.

UNB030-020	0007	Partner identification code qualifier	C	an	1/4	Cummins Mandatory
------------	------	--	---	----	-----	-------------------

Description: Qualifier referring to the source of codes for the identifiers of interchanging partners.

Cummins Note: Supplier EDI sender/receiver ID qualifier. These are the most common qualifiers used by the Cummins supply base. If you use another qualifier that is not listed, we require notification.

CodeList Summary (Total Codes: 46, Included: 4)

Code Name

1 DUNS (Data Universal Numbering System)

Description: Partner identification code assigned by Dun & Bradstreet.

01 DUNS (alternate code)

12 Telephone number

Description: Partner identification code corresponds to the partner telephone number.

ZZ Mutually defined

UNB040	S004	DATE/TIME OF PREPARATION	M	Comp		Cummins Mandatory
--------	------	---------------------------------	---	------	--	-------------------

Description: Date/time of preparation of the interchange.

UNB040-010	0017	Date of preparation	M	n	6/6	Cummins Mandatory
------------	------	----------------------------	---	---	-----	-------------------

Description: Local date when an interchange or a functional group was prepared.

Cummins Note: Date format is YYMMDD.

UNB040-020	0019	Time of preparation	M	n	4/4	Cummins Mandatory
------------	------	----------------------------	---	---	-----	-------------------

<u>Ref</u>	<u>Tag</u>	<u>Element Name</u>	<u>Status</u>	<u>Type</u>	<u>Min/Max</u>	<u>Usage</u>
		<p>Description: Local time of day when an interchange or a functional group was prepared.</p> <p>Cummins Note: Time format is HHMM.</p>				
UNB050	0020	Interchange control reference	M	an	1/14	Cummins Mandatory
		<p>Description: Unique reference assigned by the sender to an interchange.</p> <p>Cummins Note: This will be the same interchange control reference number as in the UNZ segment.</p>				
UNB070	0026	Application reference	C	an	1/14	Cummins Optional
		<p>Description: Identification of the application area assigned by the sender, to which the messages in the interchange relate e.g. the message identifier if all the messages in the interchange are of the same type.</p>				
UNB110	0035	Test indicator	C	n	1/1	Cummins Optional
		<p>Description: Indication that the interchange is a test.</p> <p>Cummins Note: A test indicator will only be included upon request.</p> <p>CodeList Summary (Total Codes: 1, Included: 1)</p> <p>Code Name</p> <p>1 Interchange is a test</p> <p>Description: Indicates that the interchange is a test.</p>				

UNH MESSAGE HEADER

Pos: 0010	Max: 1
Mandatory	
Group: N/A	Elements: 2

User Option (Usage): Cummins Mandatory

Example EDI:

UNH+1+DELJIT:D:97A:UN

Element Summary:

Ref	Tag	Element Name	Status	Type	Min/Max	Usage
UNH010	0062	Message reference number	M	an	1/14	Cummins Mandatory

Description: Unique message reference assigned by the sender.

Cummins Note: This will be the same message reference number as in the UNT segment.

UNH020	S009	MESSAGE IDENTIFIER	M	Comp		Cummins Mandatory
--------	------	--------------------	---	------	--	-------------------

Description: Identification of the type, version etc. of the message being interchanged.

UNH020-010	0065	Message type identifier	M	an	1/6	Cummins Mandatory
------------	------	-------------------------	---	----	-----	-------------------

Description: Code identifying a type of message and assigned by its controlling agency.

CodeList Summary (Total Codes: 145, Included: 1)

Code Name

DELJIT Delivery just in time message

Description: A code to identify the delivery just in time message.

UNH020-020	0052	Message type version number	M	an	1/3	Cummins Mandatory
------------	------	-----------------------------	---	----	-----	-------------------

Description: Version number of a message type.

CodeList Summary (Total Codes: 7, Included: 1)

Code Name

D Draft version

Description: Message approved and issued as a draft message (Valid for directories published after March 1993 and prior to March 1997).

Message approved as a standard message (Valid for directories published after March 1997).

UNH020-030	0054	Message type release number	M	an	1/3	Cummins Mandatory
------------	------	-----------------------------	---	----	-----	-------------------

Description: Release number within the current message type version number (0052).

CodeList Summary (Total Codes: 15, Included: 1)

Code Name

97A Release 1997 - A

Description: Message approved and issued in the first 1997 release of the

Code Name

UNTDID (United Nations Trade Data Interchange Directory).

UNH020-040 0051 **Controlling agency** M an 1/2 Cummins
Mandatory

Description: Code identifying the agency controlling the specification, maintenance and publication of the message type.

CodeList Summary (Total Codes: 20, Included: 1)

Code Name

UN UN/ECE/TRADE/WP.4, United Nations Standard Messages (UNSM)

Description: UN Economic Commission for Europe (UN/ECE), Committee on the development of trade (TRADE), Working Party on facilitation of international trade procedures (WP.4).

BGM BEGINNING OF MESSAGE

Pos: 0020	Max: 1
Mandatory	
Group: N/A	Elements: 3

User Option (Usage): Cummins Mandatory

Cummins Note:

The BGM segment will contain the delivery just-in-time / delivery schedule number in the BGM020-010 element.

Example EDI:

BGM+241+20150511-506301-0+9

Element Summary:

Ref	Tag	Element Name	Status	Type	Min/Max	Usage
BGM010	C002	DOCUMENT/MESSAGE NAME	C	Comp		Cummins Mandatory
		Description: Identification of a type of document/message by code or name. Code preferred.				
BGM010-010	1001	Document/message name, coded	C	an	1/3	Cummins Mandatory
		Description: Document/message identifier expressed in code.				
		CodeList Summary (Total Codes: 424, Included: 2)				
		<u>Code</u>	<u>Name</u>			
		241	Delivery schedule			
			Description: Usage of DELFOR-message.			
		242	Delivery just-in-time			
			Description: Usage of DELJIT-message.			
BGM020	C106	DOCUMENT/MESSAGE IDENTIFICATION	C	Comp		Cummins Mandatory
		Description: Identification of a document/message by its number and eventually its version or revision.				
BGM020-010	1004	Document/message number	C	an	1/35	Cummins Mandatory
		Description: Reference number assigned to the document/message by the issuer.				
		Cummins Note: Delivery just-in-time / delivery schedule number				
BGM030	1225	Message function, coded	C	an	1/3	Cummins Mandatory
		Description: Code indicating the function of the message.				
		CodeList Summary (Total Codes: 55, Included: 1)				
		<u>Code</u>	<u>Name</u>			
		9	Original			
			Description: Initial transmission related to a given transaction.			

DTM DATE/TIME/PERIOD

Pos: 0030	Max: 10
Mandatory	
Group: N/A	Elements: 1

User Option (Usage): Cummins Mandatory

Example EDI:

```
DTM+137:20150511:102
DTM+194:20150511:102
DTM+206:20150512:102
```

Element Summary:

<u>Ref</u>	<u>Tag</u>	<u>Element Name</u>	<u>Status</u>	<u>Type</u>	<u>Min/Max</u>	<u>Usage</u>
DTM010	C507	DATE/TIME/PERIOD	M	Comp		Cummins Mandatory

Description: Date and/or time, or period relevant to the specified date/time/period type.

DTM010-010	2005	Date/time/period qualifier	M	an	1/3	Cummins Mandatory
------------	------	----------------------------	---	----	-----	----------------------

Description: Code giving specific meaning to a date, time or period.

CodeList Summary (Total Codes: 364, Included: 3)

Code Name

137 Document/message date/time

Description: Date/time when a document/message is issued. This may include authentication.

194 Start date/time

Description: Date/time on which a period starts.

206 End date/time

Description: Date/time on which a period (from - to) ends.

DTM010-020	2380	Date/time/period	C	an	1/35	Cummins Mandatory
------------	------	------------------	---	----	------	----------------------

Description: The value of a date, a date and time, a time or of a period in a specified representation.

DTM010-030	2379	Date/time/period format qualifier	C	an	1/3	Cummins Mandatory
------------	------	-----------------------------------	---	----	-----	----------------------

Description: Specification of the representation of a date, a date and time or of a period.

CodeList Summary (Total Codes: 70, Included: 1)

Code Name

102 CCYMMDD

Description: Calendar date: C = Century ; Y = Year ; M = Month ; D = Day.

Segment Group 2

Pos: 0080	Repeat: 20
Conditional	
Group: 2	Elements: N/A

User Option (Usage): Cummins Mandatory

Cummins Note:

The NAD segments in Segment Group 2 will contain the Cummins ship-to location information and the supplier information.

Segment Group Summary:

<u>Pos</u>	<u>Tag</u>	<u>Segment Name</u>	<u>Status</u>	<u>Rep</u>	<u>Usage</u>
0090	NAD	NAME AND ADDRESS	M	1	Cummins Mandatory

NAD NAME AND ADDRESS

Pos: 0090	Max: 1
Mandatory	
Group: 2	Elements: 8

User Option (Usage): Cummins Mandatory

Cummins Note:

There will be always be two NAD segments, one indicating the Supplier and one indicating the Ship-To location.

The value provided in the NAD020-010 Party ID element of the NAD+ST segment should be returned in the NAD+ST segment in the DESADV and in the INVOIC. This value will be different for every Cummins plant that you ship to.

The value provided in the NAD020-010 Party ID element of the NAD+SU segment should be returned in the NAD+SF segment in the DESADV and in the INVOIC. This value may be different for every Cummins plant that you ship to.

Example EDI:

NAD+SU+123456CITY00::92++CUMMINS SUPPLIER

NAD+ST+123456789::16++CUMMINS SHIP-TO PLANT+CUMMINS SHIP-TO ADDRESS+CITY++ZIP

Element Summary:

<u>Ref</u>	<u>Tag</u>	<u>Element Name</u>	<u>Status</u>	<u>Type</u>	<u>Min/Max</u>	<u>Usage</u>
NAD010	3035	Party qualifier	M	an	1/3	Cummins Mandatory

Description: Code giving specific meaning to a party.

CodeList Summary (Total Codes: 325, Included: 5)

Code Name

BY Buyer

Description: Party to which merchandise is sold.

CN Consignee

Description: Party to which goods are consigned.

CZ Consignor

Description: Party which, by contract with a carrier, consigns or sends goods with the carrier, or has them conveyed by him. Synonym: shipper, sender.

ST Ship to

Description: Identification of the party to where goods will be or have been shipped.

SU Supplier

Description: Party which manufactures or otherwise has possession of goods, and consigns or makes them available in trade.

NAD020	C082	PARTY IDENTIFICATION DETAILS	C	Comp		Cummins Mandatory
--------	------	-------------------------------------	---	------	--	-------------------

Description: Identification of a transaction party by code.

<u>Ref</u>	<u>Tag</u>	<u>Element Name</u>	<u>Status</u>	<u>Type</u>	<u>Min/Max</u>	<u>Usage</u>
NAD020-010	3039	Party id. identification	M	an	1/35	Cummins Mandatory
Description: Code identifying a party involved in a transaction.						
Cummins Note: The value of the Party ID element will be assigned by the Cummins plant you are shipping to.						
NAD020-030	3055	Code list responsible agency, coded	C	an	1/3	Cummins Mandatory
Description: Code identifying the agency responsible for a code list.						
CodeList Summary (Total Codes: 195, Included: 2)						
Code Name						
16 DUNS (Dun & Bradstreet)						
Description: Self explanatory.						
92 Assigned by buyer or buyer's agent						
Description: Self explanatory.						
NAD040	C080	PARTY NAME	C	Comp		Cummins Mandatory
Description: Identification of a transaction party by name, one to five lines. Party name may be formatted.						
NAD040-010	3036	Party name	M	an	1/35	Cummins Mandatory
Description: Name of a party involved in a transaction.						
NAD050	C059	STREET	C	Comp		Cummins Optional
Description: Street address and/or PO Box number in a structured address: one to three lines.						
NAD050-010	3042	Street and number/p.o. box	M	an	1/35	Cummins Optional
Description: Street and number in plain language, or Post Office Box No.						
NAD050-020	3042	Street and number/p.o. box	C	an	1/35	Cummins Optional
Description: Street and number in plain language, or Post Office Box No.						
NAD050-030	3042	Street and number/p.o. box	C	an	1/35	Cummins Optional
Description: Street and number in plain language, or Post Office Box No.						
NAD060	3164	City name	C	an	1/35	Cummins Optional
Description: Name of a city (a town, a village) for addressing purposes.						
NAD070	3229	Country sub-entity identification	C	an	1/9	Cummins Optional
Description: Identification of the name of sub-entities (state, province) defined by appropriate governmental agencies.						

<u>Ref</u>	<u>Tag</u>	<u>Element Name</u>	<u>Status</u>	<u>Type</u>	<u>Min/Max</u>	<u>Usage</u>
NAD080	3251	Postcode identification	C	an	1/9	Cummins Optional
		Description: Code defining postal zones or addresses.				
NAD090	3207	Country, coded	C	an	1/3	Cummins Optional
		Description: Identification of the name of a country or other geographical entity as specified in ISO 3166.				

Segment Group 4

Pos: 0150	Repeat: 9999
Mandatory	
Group: 4	Elements: N/A

User Option (Usage): Cummins Mandatory

Cummins Note:

Segment Group 4 will contain:
 SEQ segment
 Segment Group 7: LIN and IMD segments
 Segment Group 8: RFF segment
 Segment Group 9: LOC segment
 Segment Group 11: QTY and DTM segments
 Segment Group 12: RFF segment

Segment Group Summary:

<u>Pos</u>	<u>Tag</u>	<u>Segment Name</u>	<u>Status</u>	<u>Rep</u>	<u>Usage</u>
0160	SEQ	SEQUENCE DETAILS	M	1	Cummins Mandatory
0250		Segment Group 7	C	9999	Cummins Mandatory

SEQ SEQUENCE DETAILS

Pos: 0160	Max: 1
Mandatory	
Group: 4	Elements: 2

User Option (Usage): Cummins Mandatory

Example EDI:

SEQ+3+1

Element Summary:

<u>Ref</u>	<u>Tag</u>	<u>Element Name</u>	<u>Status</u>	<u>Type</u>	<u>Min/Max</u>	<u>Usage</u>
SEQ010	1245	Status indicator, coded	C	an	1/3	Cummins Mandatory

Description: Specification of a status or disposition.

CodeList Summary (Total Codes: 14, Included: 3)

Code Name

3 Created new

Description: Self explanatory.

5 Replacement

Description: Self explanatory.

6 Agreement

Description: An agreed status is allocated to delivery requirements.

SEQ020	C286	SEQUENCE INFORMATION	C	Comp		Cummins Mandatory
--------	------	----------------------	---	------	--	----------------------

Description: Identification of a sequence and source for sequencing.

SEQ020-010	1050	Sequence number	M	an	1/10	Cummins Mandatory
------------	------	-----------------	---	----	------	----------------------

Description: Number indicating the position in a sequence.

Segment Group 7

Pos: 0250	Repeat: 9999
Conditional	
Group: 7	Elements: N/A

User Option (Usage): Cummins Mandatory

Cummins Note:

Segment Group 7 will be repeated for each item with demand. Items with no demand will not appear on this message.

- Segment Group 7: LIN and IMD segments
- Segment Group 8: RFF segment
- Segment Group 9: LOC segment
- Segment Group 11: QTY and DTM segments
- Segment Group 12: RFF segment

Segment Group Summary:

<u>Pos</u>	<u>Tag</u>	<u>Segment Name</u>	<u>Status</u>	<u>Rep</u>	<u>Usage</u>
0260	LIN	LINE ITEM	M	1	Cummins Mandatory
0280	IMD	ITEM DESCRIPTION	C	10	Cummins Mandatory
0350		Segment Group 8	C	5	Cummins Mandatory
0380		Segment Group 9	C	5	Cummins Mandatory
0430		Segment Group 11	C	100	Cummins Mandatory

LIN LINE ITEM

Pos: 0260	Max: 1
Mandatory	
Group: 7	Elements: 2

User Option (Usage): Cummins Mandatory

Example EDI:

LIN+++PART NUMBER 1:IN::92

Element Summary:

<u>Ref</u>	<u>Tag</u>	<u>Element Name</u>	<u>Status</u>	<u>Type</u>	<u>Min/Max</u>	<u>Usage</u>
LIN010	1082	Line item number	C	an	1/6	Cummins Optional

Description: Serial number designating each separate item within a series of articles.

Cummins Note: This is a unique reference number for each LIN segment created.

LIN030	C212	ITEM NUMBER IDENTIFICATION	C	Comp		Cummins Mandatory
--------	------	----------------------------	---	------	--	----------------------

Description: Goods identification for a specified source.

LIN030-010	7140	Item number	C	an	1/35	Cummins Mandatory
------------	------	-------------	---	----	------	----------------------

Description: A number allocated to a group or item.

Cummins Note: Cummins Part Number

LIN030-020	7143	Item number type, coded	C	an	1/3	Cummins Mandatory
------------	------	-------------------------	---	----	-----	----------------------

Description: Identification of the type of item number.

CodeList Summary (Total Codes: 86, Included: 1)

Code Name

IN Buyer's item number

Description: Self explanatory.

LIN030-040	3055	Code list responsible agency, coded	C	an	1/3	Cummins Optional
------------	------	-------------------------------------	---	----	-----	---------------------

Description: Code identifying the agency responsible for a code list.

CodeList Summary (Total Codes: 195, Included: 1)

Code Name

92 Assigned by buyer or buyer's agent

Description: Self explanatory.

IMD ITEM DESCRIPTION

Pos: 0280	Max: 10
Conditional	
Group: 7	Elements: 2

User Option (Usage): Cummins Mandatory

Example EDI:

IMD+++::92:ITEM DESCRIPTION

Element Summary:

<u>Ref</u>	<u>Tag</u>	<u>Element Name</u>	<u>Status</u>	<u>Type</u>	<u>Min/Max</u>	<u>Usage</u>
IMD010	7077	Item description type, coded	C	an	1/3	Cummins Optional

Description: Code indicating the format of a description.

CodeList Summary (Total Codes: 8, Included: 1)

Code Name

F Free-form

Description: Self explanatory.

IMD030	C273	ITEM DESCRIPTION	C	Comp		Cummins Mandatory
--------	------	-------------------------	---	------	--	----------------------

Description: Description of an item.

IMD030-030	3055	Code list responsible agency, coded	C	an	1/3	Cummins Optional
------------	------	--	---	----	-----	---------------------

Description: Code identifying the agency responsible for a code list.

CodeList Summary (Total Codes: 195, Included: 1)

Code Name

92 Assigned by buyer or buyer's agent

Description: Self explanatory.

IMD030-040	7008	Item description	C	an	1/35	Cummins Mandatory
------------	------	-------------------------	---	----	------	----------------------

Description: Plain language description of articles or products.

Cummins Note: Cummins part description

Segment Group 8

Pos: 0350	Repeat: 5
Conditional	
Group: 8	Elements: N/A

User Option (Usage): Cummins Mandatory

Segment Group Summary:

<u>Pos</u>	<u>Tag</u>	<u>Segment Name</u>	<u>Status</u>	<u>Rep</u>	<u>Usage</u>
0360	RFF	REFERENCE	M	1	Cummins Mandatory

RFF REFERENCE

Pos: 0360	Max: 1
Mandatory	
Group: 8	Elements: 1

User Option (Usage): Cummins Mandatory

Cummins Note:

Cummins Purchase Order Number.

Example EDI:

RFF+ON:9999999

Element Summary:

<u>Ref</u>	<u>Tag</u>	<u>Element Name</u>	<u>Status</u>	<u>Type</u>	<u>Min/Max</u>	<u>Usage</u>
RFF010	C506	REFERENCE	M	Comp		Cummins Mandatory

Description: Identification of a reference.

RFF010-010	1153	Reference qualifier	M	an	1/3	Cummins Mandatory
------------	------	---------------------	---	----	-----	-------------------

Description: Code giving specific meaning to a reference segment or a reference number.

CodeList Summary (Total Codes: 504, Included: 1)

Code Name

ON Order number (purchase)

Description: Reference number assigned by the buyer to an order.

RFF010-020	1154	Reference number	C	an	1/35	Cummins Mandatory
------------	------	------------------	---	----	------	-------------------

Description: Identification number the nature and function of which can be qualified by an entry in data element 1153 Reference qualifier.

Segment Group 9

Pos: 0380	Repeat: 5
Conditional	
Group: 9	Elements: N/A

User Option (Usage): Cummins Mandatory

Segment Group Summary:

<u>Pos</u>	<u>Tag</u>	<u>Segment Name</u>	<u>Status</u>	<u>Rep</u>	<u>Usage</u>
0390	LOC	PLACE/LOCATION IDENTIFICATION	M	1	Cummins Mandatory

LOC PLACE/LOCATION IDENTIFICATION

Pos: 0390	Max: 1
Mandatory	
Group: 9	Elements: 2

User Option (Usage): Cummins Mandatory

Example EDI:

LOC+7+123

Element Summary:

<u>Ref</u>	<u>Tag</u>	<u>Element Name</u>	<u>Status</u>	<u>Type</u>	<u>Min/Max</u>	<u>Usage</u>
LOC010	3227	Place/location qualifier	M	an	1/3	Cummins Mandatory

Description: Code identifying the function of a location.

CodeList Summary (Total Codes: 169, Included: 1)

Code Name

7 Place of delivery

Description: (3246) Place to which the goods are to be finally delivered under transport contract terms (operational term).

LOC020	C517	LOCATION IDENTIFICATION	C	Comp		Cummins Mandatory
--------	------	-------------------------	---	------	--	-------------------

Description: Identification of a location by code or name.

LOC020-010	3225	Place/location identification	C	an	1/25	Cummins Mandatory
------------	------	-------------------------------	---	----	------	-------------------

Description: Identification of the name of place/location, other than 3164 City name.

Cummins Note: Cummins uses the Plant Receiving Location number (3 digit number).

Segment Group 11

Pos: 0430 Repeat: 100
 Conditional
 Group: 11 Elements: N/A

User Option (Usage): Cummins Mandatory

Cummins Note:

Segment Group 11 will contain:
 QTY segments
 DTM segments
 Segment Group 12: RFF segment

Example EDI:

QTY+131:200:EA
 DTM+2:20160715:102
 RFF+RE:1

Segment Group Summary:

<u>Pos</u>	<u>Tag</u>	<u>Segment Name</u>	<u>Status</u>	<u>Rep</u>	<u>Usage</u>
0440	QTY	QUANTITY	M	1	Cummins Mandatory
0460	DTM	DATE/TIME/PERIOD	C	2	Cummins Mandatory
0470		Segment Group 12	C	5	Cummins Optional

QTY QUANTITY

Pos: 0440	Max: 1
Mandatory	
Group: 11	Elements: 1

User Option (Usage): Cummins Mandatory

Example EDI:

QTY+131:1280:EA

Element Summary:

<u>Ref</u>	<u>Tag</u>	<u>Element Name</u>	<u>Status</u>	<u>Type</u>	<u>Min/Max</u>	<u>Usage</u>
QTY010	C186	QUANTITY DETAILS	M	Comp		Cummins Mandatory

Description: Quantity information in a transaction, qualified when relevant.

QTY010-010	6063	Quantity qualifier	M	an	1/3	Cummins Mandatory
------------	------	--------------------	---	----	-----	----------------------

Description: Code giving specific meaning to a quantity.

CodeList Summary (Total Codes: 199, Included: 1)

Code Name

131 Delivery quantity

Description: Quantity required by buyer to be delivered.

QTY010-020	6060	Quantity	M	n	1/15	Cummins Mandatory
------------	------	----------	---	---	------	----------------------

Description: Numeric value of a quantity.

QTY010-030	6411	Measure unit qualifier	C	an	1/3	Cummins Mandatory
------------	------	------------------------	---	----	-----	----------------------

Description: Indication of the unit of measurement in which weight (mass), capacity, length, area, volume or other quantity is expressed.

Cummins Note: When creating a DESADV and/or INVOIC, you must return the same unit of measure that was provided.

DTM DATE/TIME/PERIOD

Pos: 0460	Max: 2
Conditional	
Group: 11	Elements: 1

User Option (Usage): Cummins Mandatory

Cummins Note:

The date Cummins would like the parts to be delivered.

Example EDI:

DTM+2:201505110000:203

or

DTM+2:20150511:102

Element Summary:

<u>Ref</u>	<u>Tag</u>	<u>Element Name</u>	<u>Status</u>	<u>Type</u>	<u>Min/Max</u>	<u>Usage</u>
DTM010	C507	DATE/TIME/PERIOD	M	Comp		Cummins Mandatory
Description: Date and/or time, or period relevant to the specified date/time/period type.						
DTM010-010	2005	Date/time/period qualifier	M	an	1/3	Cummins Mandatory
Description: Code giving specific meaning to a date, time or period.						
CodeList Summary (Total Codes: 364, Included: 1)						
Code Name						
	2	Delivery date/time, requested				
Description: Date on which buyer requests goods to be delivered.						
DTM010-020	2380	Date/time/period	C	an	1/35	Cummins Mandatory
Description: The value of a date, a date and time, a time or of a period in a specified representation.						
DTM010-030	2379	Date/time/period format qualifier	C	an	1/3	Cummins Mandatory
Description: Specification of the representation of a date, a date and time or of a period.						
CodeList Summary (Total Codes: 70, Included: 2)						
Code Name						
	102	CCYYMMDD				
Description: Calendar date: C = Century ; Y = Year ; M = Month ; D = Day.						
	203	CCYYMMDDHHMM				
Description: Calendar date including time with minutes: C=Century; Y=Year; M=Month; D=Day; H=Hour; M=Minutes.						

Segment Group 12

Pos: 0470	Repeat: 5
Conditional	
Group: 12	Elements: N/A

User Option (Usage): Cummins Optional

Cummins Note:

The RFF segment in Segment Group 12 will contain the release number. This group will only be used by those Cummins plants that require a release number assigned to each scheduled quantity and date.

Segment Group Summary:

<u>Pos</u>	<u>Tag</u>	<u>Segment Name</u>	<u>Status</u>	<u>Rep</u>	<u>Usage</u>
0480	RFF	REFERENCE	M	1	Cummins Optional

RFF REFERENCE

Pos: 0480	Max: 1
Mandatory	
Group: 12	Elements: 1

User Option (Usage): Cummins Optional

Cummins Note:

This segment will only be used by those Cummins plants that require a release number assigned to each scheduled quantity and date. If used, this should be returned in the DESADV and INVOIC.

Example EDI:

RFF+RE:111

Element Summary:

<u>Ref</u>	<u>Tag</u>	<u>Element Name</u>	<u>Status</u>	<u>Type</u>	<u>Min/Max</u>	<u>Usage</u>
RFF010	C506	REFERENCE	M	Comp		Cummins Mandatory

Description: Identification of a reference.

RFF010-010	1153	Reference qualifier	M	an	1/3	Cummins Mandatory
------------	------	---------------------	---	----	-----	-------------------

Description: Code giving specific meaning to a reference segment or a reference number.

CodeList Summary (Total Codes: 504, Included: 1)

Code Name

RE Release number

Description: Reference number assigned to identify a release of a set of rules, conventions, conditions, etc.

RFF010-020	1154	Reference number	C	an	1/35	Cummins Mandatory
------------	------	------------------	---	----	------	-------------------

Description: Identification number the nature and function of which can be qualified by an entry in data element 1153 Reference qualifier.

UNT MESSAGE TRAILER

Pos: 0500	Max: 1
Mandatory	
Group: N/A	Elements: 2

User Option (Usage): Cummins Mandatory

Example EDI:

UNT+21+1

Element Summary:

<u>Ref</u>	<u>Tag</u>	<u>Element Name</u>	<u>Status</u>	<u>Type</u>	<u>Min/Max</u>	<u>Usage</u>
UNT010	0074	Number of segments in a message	M	n	1/6	Cummins Mandatory
		Description: Control count of number of segments in a message.				
UNT020	0062	Message reference number	M	an	1/14	Cummins Mandatory

Description: Unique message reference assigned by the sender.

Cummins Note: This will be the same message reference number as in the UNH segment.

UNZ INTERCHANGE TRAILER

Pos:	Max: 1
Mandatory	
Group: N/A	Elements: 2

User Option (Usage): Cummins Mandatory

Example EDI:

UNZ+1+1

Element Summary:

<u>Ref</u>	<u>Tag</u>	<u>Element Name</u>	<u>Status</u>	<u>Type</u>	<u>Min/Max</u>	<u>Usage</u>
UNZ010	0036	Interchange control count	M	n	1/6	Cummins Mandatory
Description: Count either of the number of messages or, if used, of the number of functional groups in an interchange.						
UNZ020	0020	Interchange control reference	M	an	1/14	Cummins Mandatory

Description: Unique reference assigned by the sender to an interchange.

Cummins Note: This will be the same interchange control reference number as in the UNB segment.