

# **APERAK D97A**

**EDIFACT / D97A / APERAK : APERAK Application Error and Acknowledgement  
Message**

**Version: March 2019 Final**

<b>Author:</b>	<b>Cummins Electronic Commerce Support</b>
<b>Company:</b>	<b>Cummins Inc.</b>
<b>Publication:</b>	<b>4/4/2019</b>
<b>Trading Partner:</b>	<b>Cummins Suppliers</b>

# Table of Contents

<b>APERAK</b>	<b>Application error and acknowledgement message</b> .....	<b>1</b>
	<b>Branching Diagram - 1</b> .....	<b>4</b>
	<b>Branching Diagram - 2</b> .....	<b>5</b>
<b>UNB</b>	<b>INTERCHANGE HEADER</b> .....	<b>6</b>
<b>UNH</b>	<b>MESSAGE HEADER</b> .....	<b>9</b>
<b>BGM</b>	<b>BEGINNING OF MESSAGE</b> .....	<b>11</b>
<b>DTM</b>	<b>DATE/TIME/PERIOD</b> .....	<b>12</b>
<b>Group 1</b>	<b>Segment Group 1</b> .....	<b>13</b>
<b>RFF</b>	<b>REFERENCE</b> .....	<b>14</b>
<b>DTM</b>	<b>DATE/TIME/PERIOD</b> .....	<b>15</b>
<b>Group 2</b>	<b>Segment Group 2</b> .....	<b>16</b>
<b>NAD</b>	<b>NAME AND ADDRESS</b> .....	<b>17</b>
<b>Group 3</b>	<b>Segment Group 3</b> .....	<b>19</b>
<b>ERC</b>	<b>APPLICATION ERROR INFORMATION</b> .....	<b>20</b>
<b>FTX</b>	<b>FREE TEXT</b> .....	<b>22</b>
<b>UNT</b>	<b>MESSAGE TRAILER</b> .....	<b>23</b>
<b>UNZ</b>	<b>INTERCHANGE TRAILER</b> .....	<b>24</b>

# APERAK Application error and acknowledgement message

## Message Status=1

**Definition:** APERAK is an application error and acknowledgment message which is sent from Cummins to a Trading Partner for the following purpose: To inform the Trading Partner that their message has been received by the Cummins application and the message has been rejected due to errors encountered during processing by the application.

### Cummins Note:

The APERAK is not used by all Cummins entities at this time. You can identify which Cummins entities use the APERAK by referencing the "Cummins Plant EDI Information" spreadsheet at the following:

<https://public.cummins.com/sites/CSP/en-us/Pages/EDI-Implementation-Information.aspx>.

DESADV Business Rules captured by this APERAK:

An APERAK will be sent if a DESADV message contains data errors as detected by the Cummins applications. In this event, the DESADV has not been loaded into the Cummins application system. If you know that this shipment has not yet arrived at the plant, then please submit a corrected DESADV with the same shipment ID number before the goods arrive at the Cummins receiving location. If you are unsure on the shipment receipt status, please discuss the information in this DESADV with your plant contact so they know what material is in transit and they can inform you if you need to submit a corrected DESADV. This will avoid reconciliation errors that could lead to receipt and payment issues.

INVOIC Business Rules captured by this APERAK:

An APERAK will be sent if an INVOIC message contains data errors as detected by the Cummins applications. In this event, the INVOIC has not been loaded into the Cummins accounts payable system. You must correct and resend the INVOIC with the same invoice number so the invoice can be processed for payment by Cummins. Contact the CBS AP region for more information about how to resolve the error. You can find the contact information of the CBS AP group for that respective region at [supplier.cummins.com](http://supplier.cummins.com) under the Supplier Payments section.

**IMPORTANT:** When you resubmit your corrected DESADV or INVOIC, be aware that you might receive another APERAK if additional errors are found. You must process all APERAKs.

### Example EDI:

APERAK for DESADV failure:

```
UNB+UNOA:1+SENDERID:1+RECEIVERID:1+150715:0115+1++APERAK
```

```
UNH+1+APERAK:D:97A:UN
```

```
BGM+:::APPLICATION ACKNOWLEDGEMENT+20150715+11
```

```
DTM+97:20150714:102
```

```
RFF+SI:22222222
```

```
DTM+11:20150714:102
```

NAD+SF+123456CITY00  
 NAD+ST+123  
 ERC+012::116  
 FTX+AAO+3++ERROR DESCRIPTION  
 UNT+10+1  
 UNZ+1+1

APERAK for INVOIC failure:

UNB+UNOA:1+SENDERID:1+RECEIVERID:1+150720:1002+1++APERAK  
 UNH+1+APERAK:D:97A:UN  
 BGM+:::APPLICATION ACKNOWLEDGEMENT++11  
 DTM+97:20150719:102  
 RFF+IV:99999999  
 DTM+3:20150719:102  
 NAD+SF+123456  
 NAD+ST+CBS  
 ERC+830::116  
 FTX+AAO+3++ ERROR DESCRIPTION  
 UNT+10+1  
 UNZ+1+1

**Heading:**

<u>Pos</u>	<u>Tag</u>	<u>Segment Name</u>	<u>Status</u>	<u>Rep</u>	<u>Notes</u>	<u>Usage</u>
	UNB	INTERCHANGE HEADER	M	1		Cummins Mandatory
0010	UNH	MESSAGE HEADER	M	1	N1/0010	Cummins Mandatory
0020	BGM	BEGINNING OF MESSAGE	M	1	N1/0020	Cummins Mandatory
0030	DTM	DATE/TIME/PERIOD	C	9	N1/0030	Cummins Mandatory
<b>0060</b>		<b>Segment Group 1</b>	<b>C</b>	<b>9</b>	<b>N1/0060</b>	<b>Cummins Mandatory</b>
0070	RFF	REFERENCE	M	1	N1/0070	Cummins Mandatory
0080	DTM	DATE/TIME/PERIOD	C	9	N1/0080	Cummins Mandatory
<b>0090</b>		<b>Segment Group 2</b>	<b>C</b>	<b>9</b>	<b>N1/0090</b>	<b>Cummins Mandatory</b>
0100	NAD	NAME AND ADDRESS	M	1	N1/0100	Cummins Mandatory

**Detail:**

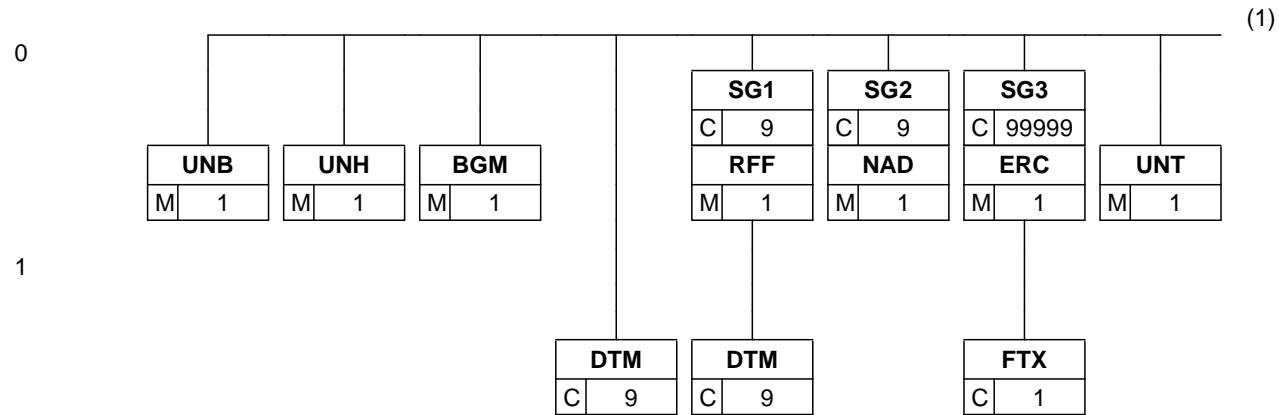
<u>Pos</u>	<u>Tag</u>	<u>Segment Name</u>	<u>Status</u>	<u>Rep</u>	<u>Notes</u>	<u>Usage</u>
<b>0130</b>		<b>Segment Group 3</b>	<b>C</b>	<b>99999</b>	<b>N2/0130</b>	<b>Cummins</b>

<u>Pos</u>	<u>Tag</u>	<u>Segment Name</u>	<u>Status</u>	<u>Rep</u>	<u>Notes</u>	<u>Usage</u>
0140	ERC	APPLICATION ERROR INFORMATION	M	1	N2/0140	Cummins Mandatory
0150	FTX	FREE TEXT	C	1	N2/0150	Cummins Mandatory

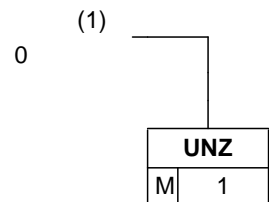
**Summary:**

<u>Pos</u>	<u>Tag</u>	<u>Segment Name</u>	<u>Status</u>	<u>Rep</u>	<u>Notes</u>	<u>Usage</u>
0190	UNT	MESSAGE TRAILER	M	1	N3/0190	Cummins Mandatory
	UNZ	INTERCHANGE TRAILER	M	1		Cummins Mandatory

**Branching Diagram:** APERAK(Application error and acknowledgement message)



**Branching Diagram:** APERAK(Application error and acknowledgement message)



# UNB INTERCHANGE HEADER

<b>Pos:</b>	<b>Max: 1</b>
<b>Mandatory</b>	
<b>Group: N/A</b>	<b>Elements: 6</b>

**User Option (Usage):** Cummins Mandatory

## Example EDI:

UNB+UNOA:1+SENDERID:1+RECEIVERID:1+150720:1002+1++APERAK

## Element Summary:

<u>Ref</u>	<u>Tag</u>	<u>Element Name</u>	<u>Status</u>	<u>Type</u>	<u>Min/Max</u>	<u>Usage</u>
UNB010	S001	<b>SYNTAX IDENTIFIER</b>	M	Comp		Cummins Mandatory

**Description:** Identification of the agency controlling the syntax and indication of syntax level.

UNB010-010	0001	<b>Syntax identifier</b>	M	a	4/4	Cummins Mandatory
------------	------	--------------------------	---	---	-----	-------------------

**Description:** Coded identification of the agency controlling a syntax and syntax level used in an interchange.

**CodeList Summary** (Total Codes: 6, Included: 1)

**Code Name**

UNOA UN/ECE level A

**Description:** As defined in the basic code table of ISO 646 with the exceptions of lower case letters, alternative graphic character allocations and national or application-oriented graphic character allocations.

UNB010-020	0002	<b>Syntax version number</b>	M	n	1/1	Cummins Mandatory
------------	------	------------------------------	---	---	-----	-------------------

**Description:** Version number of the syntax identified in the syntax identifier (0001).

**CodeList Summary** (Total Codes: 3, Included: 1)

**Code Name**

1 Version 1

**Description:** ISO 9735:1988.

UNB020	S002	<b>INTERCHANGE SENDER</b>	M	Comp		Cummins Mandatory
--------	------	---------------------------	---	------	--	-------------------

**Description:** Identification of the sender of the interchange.

UNB020-010	0004	<b>Sender identification</b>	M	an	1/35	Cummins Mandatory
------------	------	------------------------------	---	----	------	-------------------

**Description:** Name or coded representation of the sender of a data interchange.

**Cummins Note:** Cummins EDI sender/receiver ID.

UNB020-020	0007	<b>Partner identification code qualifier</b>	C	an	1/4	Cummins Mandatory
------------	------	----------------------------------------------	---	----	-----	-------------------

**Description:** Qualifier referring to the source of codes for the identifiers of interchanging partners.



<u>Ref</u>	<u>Tag</u>	<u>Element Name</u>	<u>Status</u>	<u>Type</u>	<u>Min/Max</u>	<u>Usage</u>
		<b>Cummins Note:</b> Cummins EDI sender/receiver ID qualifier.				
		<b>CodeList Summary</b> (Total Codes: 45, Included: 2)				
		<b>Code</b>		<b>Name</b>		
		1		DUNS (Data Universal Numbering System)		
				<b>Description:</b> Partner identification code assigned by Dun & Bradstreet.		
		ZZ		Mutually defined		
UNB030	S003	<b>INTERCHANGE RECIPIENT</b>	M	Comp		Cummins Mandatory
		<b>Description:</b> Identification of the recipient of the interchange.				
UNB030-010	0010	<b>Recipient identification</b>	M	an	1/35	Cummins Mandatory
		<b>Description:</b> Name or coded representation of the recipient of a data interchange.				
		<b>Cummins Note:</b> Supplier EDI sender/receiver ID.				
UNB030-020	0007	<b>Partner identification code qualifier</b>	C	an	1/4	Cummins Mandatory
		<b>Description:</b> Qualifier referring to the source of codes for the identifiers of interchanging partners.				
		<b>Cummins Note:</b> Supplier EDI sender/receiver ID qualifier. These are the most common qualifiers used by the Cummins supply base. If you use another qualifier that is not listed, we require notification.				
		<b>CodeList Summary</b> (Total Codes: 46, Included: 4)				
		<b>Code</b>		<b>Name</b>		
		1		DUNS (Data Universal Numbering System)		
				<b>Description:</b> Partner identification code assigned by Dun & Bradstreet.		
		01		DUNS (alternate code)		
		12		Telephone number		
				<b>Description:</b> Partner identification code corresponds to the partner telephone number.		
		ZZ		Mutually defined		
UNB040	S004	<b>DATE/TIME OF PREPARATION</b>	M	Comp		Cummins Mandatory
		<b>Description:</b> Date/time of preparation of the interchange.				
UNB040-010	0017	<b>Date of preparation</b>	M	n	6/6	Cummins Mandatory
		<b>Description:</b> Local date when an interchange or a functional group was prepared.				
		<b>Cummins Note:</b> Date format is YYMMDD.				
UNB040-020	0019	<b>Time of preparation</b>	M	n	4/4	Cummins Mandatory
		<b>Description:</b> Local time of day when an interchange or a functional group was prepared.				
		<b>Cummins Note:</b> Time format is HHMM.				

<u>Ref</u>	<u>Tag</u>	<u>Element Name</u>	<u>Status</u>	<u>Type</u>	<u>Min/Max</u>	<u>Usage</u>
UNB050	0020	<b>Interchange control reference</b>	M	an	1/14	Cummins Mandatory

**Description:** Unique reference assigned by the sender to an interchange.

**Cummins Note:** This will be the same interchange control reference number as in the UNZ segment.

UNB070	0026	<b>Application reference</b>	C	an	1/14	Cummins Optional
--------	------	------------------------------	---	----	------	---------------------

**Description:** Identification of the application area assigned by the sender, to which the messages in the interchange relate e.g. the message identifier if all the messages in the interchange are of the same type.

# UNH MESSAGE HEADER

Pos: 0010	Max: 1
Mandatory	
Group: N/A	Elements: 2

User Option (Usage): Cummins Mandatory

## Example EDI:

UNH+1+APERAK:D:97A:UN

## Element Summary:

Ref	Tag	Element Name	Status	Type	Min/Max	Usage
UNH010	0062	Message reference number	M	an	1/14	Cummins Mandatory

**Description:** Unique message reference assigned by the sender.

**Cummins Note:** This will be the same message reference number as in the UNT segment.

UNH020	S009	MESSAGE IDENTIFIER	M	Comp		Cummins Mandatory
--------	------	--------------------	---	------	--	-------------------

**Description:** Identification of the type, version etc. of the message being interchanged.

UNH020-010	0065	Message type identifier	M	an	1/6	Cummins Mandatory
------------	------	-------------------------	---	----	-----	-------------------

**Description:** Code identifying a type of message and assigned by its controlling agency.

**CodeList Summary** (Total Codes: 145, Included: 1)

**Code Name**

APERAK Application error and acknowledgement message

**Description:** A code to identify the application error and acknowledgement message.

UNH020-020	0052	Message type version number	M	an	1/3	Cummins Mandatory
------------	------	-----------------------------	---	----	-----	-------------------

**Description:** Version number of a message type.

**CodeList Summary** (Total Codes: 7, Included: 1)

**Code Name**

D Draft version

**Description:** Message approved and issued as a draft message (Valid for directories published after March 1993 and prior to March 1997).

Message approved as a standard message (Valid for directories published after March 1997).

UNH020-030	0054	Message type release number	M	an	1/3	Cummins Mandatory
------------	------	-----------------------------	---	----	-----	-------------------

**Description:** Release number within the current message type version number (0052).

**CodeList Summary** (Total Codes: 15, Included: 1)

**Code Name**

97A Release 1997 - A

**Code Name**

**Description:** Message approved and issued in the first 1997 release of the UNTDID (United Nations Trade Data Interchange Directory).

UNH020-040 0051	<b>Controlling agency</b>	M	an	1/2	Cummins Mandatory
-----------------	---------------------------	---	----	-----	----------------------

**Description:** Code identifying the agency controlling the specification, maintenance and publication of the message type.

**CodeList Summary** (Total Codes: 20, Included: 1)

**Code Name**

UN UN/ECE/TRADE/WP.4, United Nations Standard Messages (UNSM)

**Description:** UN Economic Commission for Europe (UN/ECE), Committee on the development of trade (TRADE), Working Party on facilitation of international trade procedures (WP.4).

# BGM BEGINNING OF MESSAGE

Pos: 0020	Max: 1
Mandatory	
Group: N/A	Elements: 2

User Option (Usage): Cummins Mandatory

## Example EDI:

BGM+:::APPLICATION ACKNOWLEDGEMENT++11

## Element Summary:

<u>Ref</u>	<u>Tag</u>	<u>Element Name</u>	<u>Status</u>	<u>Type</u>	<u>Min/Max</u>	<u>Usage</u>
BGM010	C002	DOCUMENT/MESSAGE NAME	C	Comp		Cummins Mandatory

**Description:** Identification of a type of document/message by code or name. Code preferred.

BGM010-040	1000	Document/message name	C	an	1/35	Cummins Mandatory
------------	------	-----------------------	---	----	------	----------------------

**Description:** Plain language identifier specifying the function of a document/message.

BGM030	1225	Message function, coded	C	an	1/3	Cummins Mandatory
--------	------	-------------------------	---	----	-----	----------------------

**Description:** Code indicating the function of the message.

**CodeList Summary** (Total Codes: 55, Included: 1)

**Code Name**

11 Response

**Description:** Message responding to a previous message or document.

# DTM DATE/TIME/PERIOD

Pos: 0030	Max: 9
Conditional	
Group: N/A	Elements: 1

User Option (Usage): Cummins Mandatory

## Example EDI:

DTM+97:20150714:102

## Element Summary:

<u>Ref</u>	<u>Tag</u>	<u>Element Name</u>	<u>Status</u>	<u>Type</u>	<u>Min/Max</u>	<u>Usage</u>
DTM010	C507	DATE/TIME/PERIOD	M	Comp		Cummins Mandatory

**Description:** Date and/or time, or period relevant to the specified date/time/period type.

DTM010-010	2005	Date/time/period qualifier	M	an	1/3	Cummins Mandatory
------------	------	----------------------------	---	----	-----	-------------------

**Description:** Code giving specific meaning to a date, time or period.

**CodeList Summary** (Total Codes: 364, Included: 1)

**Code Name**

97 Transaction creation date

**Description:** Self explanatory.

DTM010-020	2380	Date/time/period	C	an	1/35	Cummins Mandatory
------------	------	------------------	---	----	------	-------------------

**Description:** The value of a date, a date and time, a time or of a period in a specified representation.

**Cummins Note:** Date of the failed DESADV or INVOIC message.

DTM010-030	2379	Date/time/period format qualifier	C	an	1/3	Cummins Mandatory
------------	------	-----------------------------------	---	----	-----	-------------------

**Description:** Specification of the representation of a date, a date and time or of a period.

**CodeList Summary** (Total Codes: 70, Included: 1)

**Code Name**

102 CCYYMMDD

**Description:** Calendar date: C = Century ; Y = Year ; M = Month ; D = Day.

# Segment Group 1

Pos: 0060	Repeat: 9
Conditional	
Group: 1	Elements: N/A

User Option (Usage): Cummins Mandatory

## Segment Group Summary:

<u>Pos</u>	<u>Tag</u>	<u>Segment Name</u>	<u>Status</u>	<u>Rep</u>	<u>Usage</u>
0070	RFF	REFERENCE	M	1	Cummins Mandatory
0080	DTM	DATE/TIME/PERIOD	C	9	Cummins Mandatory

# RFF REFERENCE

Pos: 0070	Max: 1
Mandatory	
Group: 1	Elements: 1

**User Option (Usage):** Cummins Mandatory

## Cummins Note:

You will receive a separate APERAK message for each failed DESADV or INVOIC which can contain one or more failures for that message.

## Example EDI:

RFF+SI:22222222  
 or  
 RFF+IV:99999999

## Element Summary:

<u>Ref</u>	<u>Tag</u>	<u>Element Name</u>	<u>Status</u>	<u>Type</u>	<u>Min/Max</u>	<u>Usage</u>
RFF010	C506	REFERENCE	M	Comp		Cummins Mandatory

**Description:** Identification of a reference.

RFF010-010	1153	Reference qualifier	M	an	1/3	Cummins Mandatory
------------	------	---------------------	---	----	-----	-------------------

**Description:** Code giving specific meaning to a reference segment or a reference number.

**CodeList Summary** (Total Codes: 504, Included: 2)

**Code Name**

IV Invoice number

**Description:** Reference number assigned by the seller to a Commercial Invoice.

SI SID (Shipper's identifying number for shipment)

**Description:** Description to be provided.

RFF010-020	1154	Reference number	C	an	1/35	Cummins Mandatory
------------	------	------------------	---	----	------	-------------------

**Description:** Identification number the nature and function of which can be qualified by an entry in data element 1153 Reference qualifier.



# DTM DATE/TIME/PERIOD

Pos: 0080	Max: 9
Conditional	
Group: 1	Elements: 1

User Option (Usage): Cummins Mandatory

## Example EDI:

DTM+3:20150719:102  
or  
DTM+11:20150714:102

## Element Summary:

Ref	Tag	Element Name	Status	Type	Min/Max	Usage
DTM010	C507	DATE/TIME/PERIOD	M	Comp		Cummins Mandatory

**Description:** Date and/or time, or period relevant to the specified date/time/period type.

DTM010-010	2005	Date/time/period qualifier	M	an	1/3	Cummins Mandatory
------------	------	----------------------------	---	----	-----	-------------------

**Description:** Code giving specific meaning to a date, time or period.

**CodeList Summary** (Total Codes: 364, Included: 2)

**Code Name**

3 Invoice date/time

**Description:** Date when a Commercial Invoice is issued.

11 Despatch date and or time

**Description:** Date/time on which the goods are or are expected to be despatched or shipped.

DTM010-020	2380	Date/time/period	C	an	1/35	Cummins Mandatory
------------	------	------------------	---	----	------	-------------------

**Description:** The value of a date, a date and time, a time or of a period in a specified representation.

DTM010-030	2379	Date/time/period format qualifier	C	an	1/3	Cummins Mandatory
------------	------	-----------------------------------	---	----	-----	-------------------

**Description:** Specification of the representation of a date, a date and time or of a period.

**CodeList Summary** (Total Codes: 70, Included: 1)

**Code Name**

102 CCYMMDD

**Description:** Calendar date: C = Century ; Y = Year ; M = Month ; D = Day.

# Segment Group 2

Pos: 0090	Repeat: 9
Conditional	
Group: 2	Elements: N/A

**User Option (Usage):** Cummins Mandatory

## Cummins Note:

The NAD segments in Segment Group 2 will contain the Cummins ship-to location information and the supplier information.

## Segment Group Summary:

<u>Pos</u>	<u>Tag</u>	<u>Segment Name</u>	<u>Status</u>	<u>Rep</u>	<u>Usage</u>
0100	NAD	NAME AND ADDRESS	M	1	Cummins Mandatory

# NAD NAME AND ADDRESS

Pos: 0100	Max: 1
Mandatory	
Group: 2	Elements: 3

User Option (Usage): Cummins Mandatory

### Example EDI:

APERAK for DESADV:  
 NAD+SF+123456CITY00  
 NAD+ST+123

APERAK for INVOIC:  
 NAD+SF+123456  
 NAD+ST+CBS

### Element Summary:

Ref	Tag	Element Name	Status	Type	Min/Max	Usage
NAD010	3035	Party qualifier	M	an	1/3	Cummins Mandatory

**Description:** Code giving specific meaning to a party.

**CodeList Summary** (Total Codes: 325, Included: 2)

**Code Name**

SF Ship from

**Description:** Identification of the party from where goods will be or have been shipped.

ST Ship to

**Description:** Identification of the party to where goods will be or have been shipped.

NAD020	C082	<b>PARTY IDENTIFICATION DETAILS</b>	C	Comp		Cummins Mandatory
--------	------	-------------------------------------	---	------	--	-------------------

**Description:** Identification of a transaction party by code.

NAD020-010	3039	<b>Party id. identification</b>	M	an	1/35	Cummins Mandatory
------------	------	---------------------------------	---	----	------	-------------------

**Description:** Code identifying a party involved in a transaction.

**Cummins Note:** If NAD010-010 Party Qualifier is 'SF', then this value will be the Cummins Supplier Code or AP Supplier number.

If NAD010-010 Party Qualifier is 'ST', then this value will be the Cummins Receiving Location code or CBS (Cummins Business Services).

NAD020-030	3055	<b>Code list responsible agency, coded</b>	C	an	1/3	Cummins Optional
------------	------	--------------------------------------------	---	----	-----	------------------

**Description:** Code identifying the agency responsible for a code list.

**CodeList Summary** (Total Codes: 195, Included: 2)

**Code Name**

**Code Name**

16 DUNS (Dun & Bradstreet)

**Description:** Self explanatory.

92 Assigned by buyer or buyer's agent

**Description:** Self explanatory.

NAD040	C080	<b>PARTY NAME</b>	C	Comp	Cummins Mandatory
--------	------	-------------------	---	------	----------------------

**Description:** Identification of a transaction party by name, one to five lines. Party name may be formatted.

NAD040-010	3036	<b>Party name</b>	M	an	1/35	Cummins Mandatory
------------	------	-------------------	---	----	------	----------------------

**Description:** Name of a party involved in a transaction.

# Segment Group 3

Pos: 0130	Repeat: 99999
Conditional	
Group: 3	Elements: N/A

User Option (Usage): Cummins Mandatory

## Segment Group Summary:

<u>Pos</u>	<u>Tag</u>	<u>Segment Name</u>	<u>Status</u>	<u>Rep</u>	<u>Usage</u>
0140	ERC	APPLICATION ERROR INFORMATION	M	1	Cummins Mandatory
0150	FTX	FREE TEXT	C	1	Cummins Mandatory

# ERC APPLICATION ERROR INFORMATION

Pos: 0140	Max: 1
Mandatory	
Group: 3	Elements: 1

User Option (Usage): Cummins Mandatory

## Example EDI:

ERC+011::116

## Element Summary:

Ref	Tag	Element Name	Status	Type	Min/Max	Usage
ERC010	C901	APPLICATION ERROR DETAIL	M	Comp		Cummins Mandatory

**Description:** Code assigned by the recipient of a message to indicate a data validation error condition.

ERC010-010	9321	Application error identification	M	an	1/8	Cummins Mandatory
------------	------	----------------------------------	---	----	-----	-------------------

**Description:** The code assigned by the receiver of a message to the identification of a data validation error condition.

### Cummins Note:

This list may not contain all error codes sent by Cummins systems. Please contact Cummins ECommerce team if you receive a code that you do not know how to manage.

003 Duplicate Billing

007 Missing Data

008 Out of Range

009 Invalid Date

010 Total Out of Balance

011 Not Matching

012 Invalid Combination

013 Duplicate ASN

802 Invalid Debit or Credit Flag Code

830 Refused By Payee

848 Incorrect Data

CUR Invalid Currency Code

INC Incomplete Transaction

IQT Invalid Quantity

P Missing or Invalid Item Quantity

POI Purchase Order Number Invalid

Q Missing or Invalid Item Identification

QTY Quantity

UNP Invalid Unit Price

ERC010-030	3055	Code list responsible agency, coded	C	an	1/3	Cummins Optional
------------	------	-------------------------------------	---	----	-----	------------------

<u>Ref</u>	<u>Tag</u>	<u>Element Name</u>	<u>Status</u>	<u>Type</u>	<u>Min/Max</u>	<u>Usage</u>
------------	------------	---------------------	---------------	-------------	----------------	--------------

**Description:** Code identifying the agency responsible for a code list.

**CodeList Summary** (Total Codes: 195, Included: 1)

**Code Name**

116 US, ANSI ASC X12

**Description:** American National Standards Institute ASC X12.

# FTX FREE TEXT

Pos: 0150	Max: 1
Conditional	
Group: 3	Elements: 3

User Option (Usage): Cummins Mandatory

## Cummins Note:

This segment will contain a description of why your DESADV or INVOIC failed.

## Example EDI:

FTX+AAO+3++ERROR DESCRIPTION

## Element Summary:

<u>Ref</u>	<u>Tag</u>	<u>Element Name</u>	<u>Status</u>	<u>Type</u>	<u>Min/Max</u>	<u>Usage</u>
FTX010	4451	Text subject qualifier	M	an	1/3	Cummins Mandatory
		<b>Description:</b> Code specifying subject of a free text.				
		<b>CodeList Summary</b> (Total Codes: 189, Included: 1)				
		<b>Code</b>	<b>Name</b>			
		AAO	Error description (free text)			
		<b>Description:</b> Error described by a free text.				
FTX020	4453	Text function, coded	C	an	1/3	Cummins Optional
		<b>Description:</b> Code specifying how to handle the text.				
		<b>CodeList Summary</b> (Total Codes: 4, Included: 1)				
		<b>Code</b>	<b>Name</b>			
		3	Text for immediate use			
		<b>Description:</b> Text must be read before actioning message.				
FTX040	C108	TEXT LITERAL	C	Comp		Cummins Mandatory
		<b>Description:</b> Free text; one to five lines.				
FTX040-010	4440	Free text	M	an	1/70	Cummins Mandatory
		<b>Description:</b> Free text field available to the message sender for information.				
FTX040-020	4440	Free text	C	an	1/70	Cummins Optional
		<b>Description:</b> Free text field available to the message sender for information.				
FTX040-030	4440	Free text	C	an	1/70	Cummins Optional
		<b>Description:</b> Free text field available to the message sender for information.				



# UNT MESSAGE TRAILER

Pos: 0190	Max: 1
Mandatory	
Group: N/A	Elements: 2

User Option (Usage): Cummins Mandatory

## Example EDI:

UNT+10+1

## Element Summary:

<u>Ref</u>	<u>Tag</u>	<u>Element Name</u>	<u>Status</u>	<u>Type</u>	<u>Min/Max</u>	<u>Usage</u>
UNT010	0074	Number of segments in a message	M	n	1/6	Cummins Mandatory
		<b>Description:</b> Control count of number of segments in a message.				
UNT020	0062	Message reference number	M	an	1/14	Cummins Mandatory

**Description:** Unique message reference assigned by the sender.

**Cummins Note:** This will be the same message reference number as in the UNH segment.

# UNZ INTERCHANGE TRAILER

Pos:	Max: 1
Mandatory	
Group: N/A	Elements: 2

User Option (Usage): Cummins Mandatory

## Example EDI:

UNZ+1+1

## Element Summary:

<u>Ref</u>	<u>Tag</u>	<u>Element Name</u>	<u>Status</u>	<u>Type</u>	<u>Min/Max</u>	<u>Usage</u>
UNZ010	0036	<b>Interchange control count</b>	M	n	1/6	Cummins Mandatory
		<b>Description:</b> Count either of the number of messages or, if used, of the number of functional groups in an interchange.				
UNZ020	0020	<b>Interchange control reference</b>	M	an	1/14	Cummins Mandatory

**Description:** Unique reference assigned by the sender to an interchange.

**Cummins Note:** This will be the same interchange control reference number as in the UNB segment.